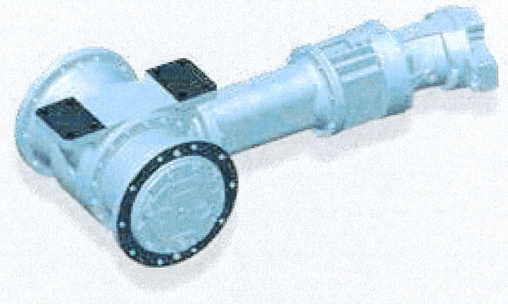
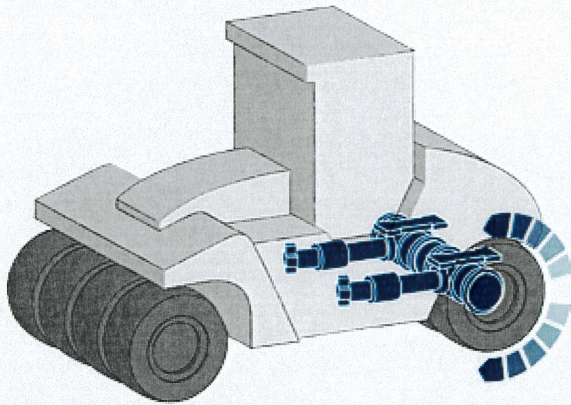


Wheel drives for pneumatic tyred roller machines up to 28 tons.

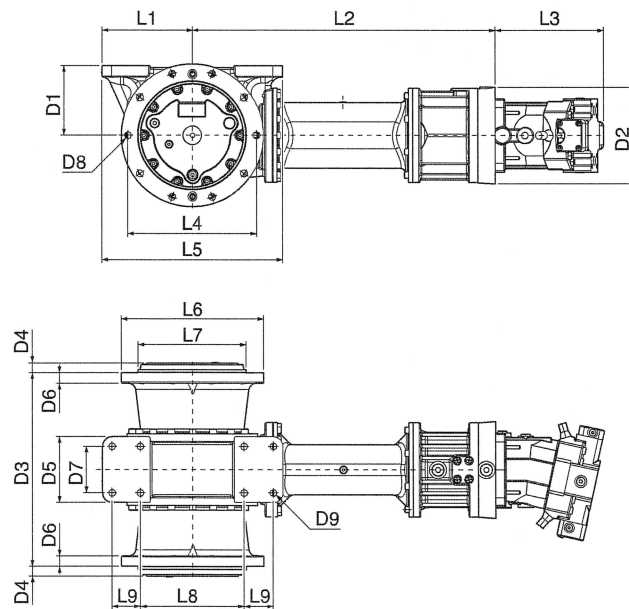


600 Y3 Wheel drives

When you are designing a latest generation pneumatic tyred roller machine the integration of the unique 600 Y3 drive is the right choice for your vehicle.

Type	Torque (Nm)
605 Y3	14000
606 Y3	22000

TYPE	WEIGHT	OUTPUT TORQUE	RATIOS	MOTOR TYPE
	tons	Nm	1:	
605 Y3	12 ÷ 18	14000	30	axial piston, variable displacement
606 Y3	18 ÷ 28	22000	32	



TYPE	D1	D2	D3	D4	D5	D6	D7	D8	D9	L1	L2	L3	L4	L5	L6	L7	L8	L9
605 Y3	200	250	500	44	170	27	130	M20x1.5 n°10	M20x2.5 n°8	230	830	Depend on motor type	335	460	370	280.8	260	75
606 Y3	180	250	500	25	170	27	120	M20x1.5 n°10	M20x2.5 n°8	236	790		335	471	370	280.8	270	75